

SPECIFICATIONS:

MATERIALS:
 CASE, PPS, COLOR- BROWN
 COVER, STEEL, PLATING- TIN
 ACTUATOR, SEE TABLE
 CONTACT, COPPER ALLOY, PLATING- SILVER CLAD
 TERMINAL, COPPER ALLOY, PLATING- SILVER

ELECTRICAL:

MAX CONTACT RATING: 50MILLIAMPS@24V DC
 MIN CONTACT RATING: 10MICROAMPS@1V DC
 INITIAL CONTACT RESISTANCE, 100 MILLIOHMS MAX, PER EIA-364-23B, EACH POSITION
 INSULATION RESISTANCE, 100 MEGOHM MIN. PER EIA-364-21C EACH POSITION
 DIELECTRIC STRENGTH, 250 V AC FOR 1 MINUTE, PER EIA-364-20B, CONDITION 1, EACH POSITION.
 CONTACT BOUNCE, 10 MILLISECOND MAX, PER EIA 448-1B, METHOD 15

MECHANICAL:

ACTUATION FORCE, SEE TABLE
 ACTUATION TRAVEL, .010 +.008/-.004
 LIFE EXPECTANCY, 100,000 CYCLES MIN (2 CYCLES PER SECOND AND 150% ACTUATION FORCE),
 PER EIA-448 METHODS 8 AND 9
 VIBRATION, PER EIA 364-28D, CONDITION VII, LEVEL E
 MECHANICAL SHOCK, PER EIA-364-27C, CONDITION A

ENVIRONMENTAL:

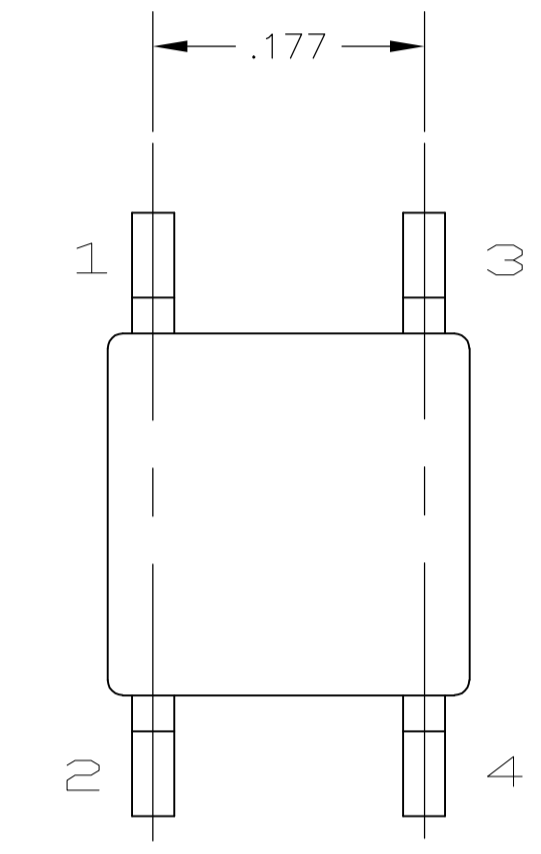
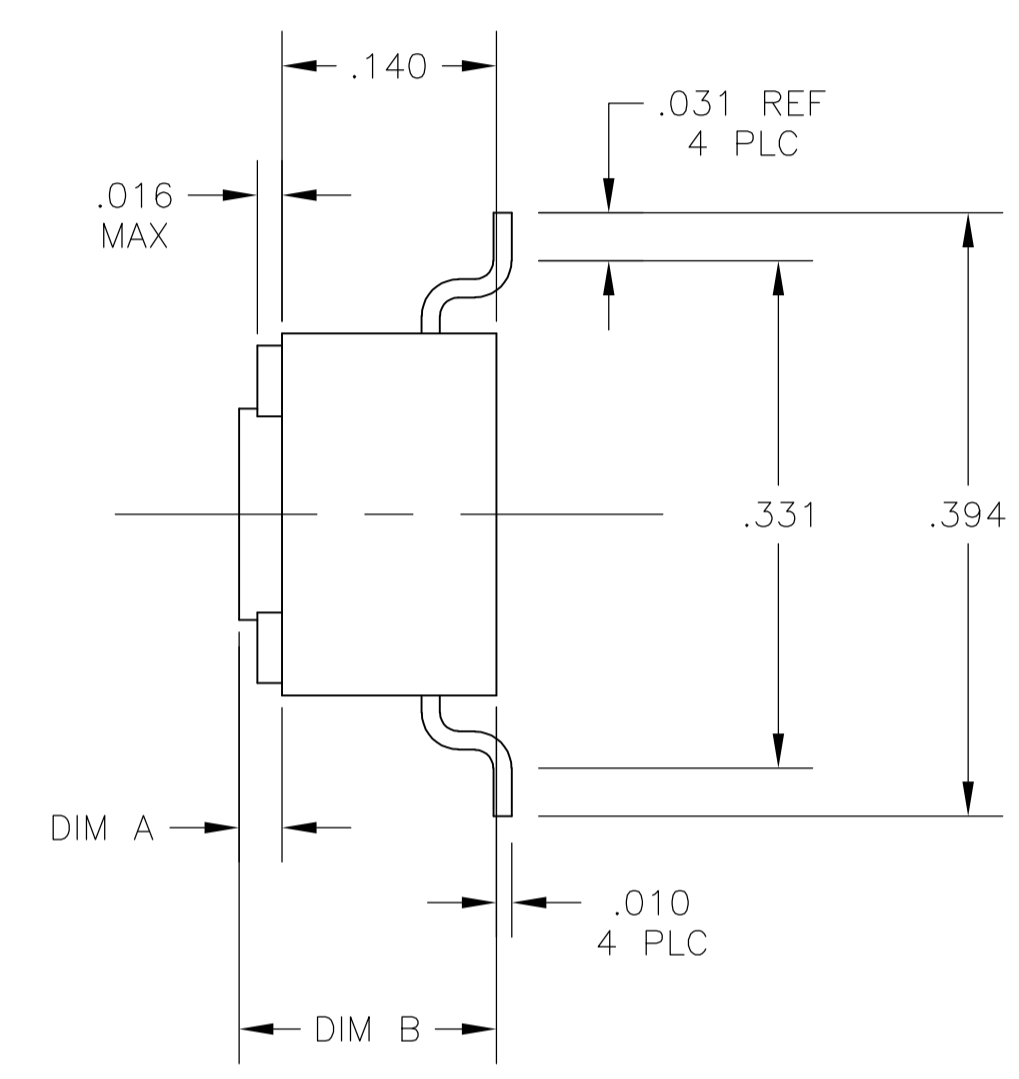
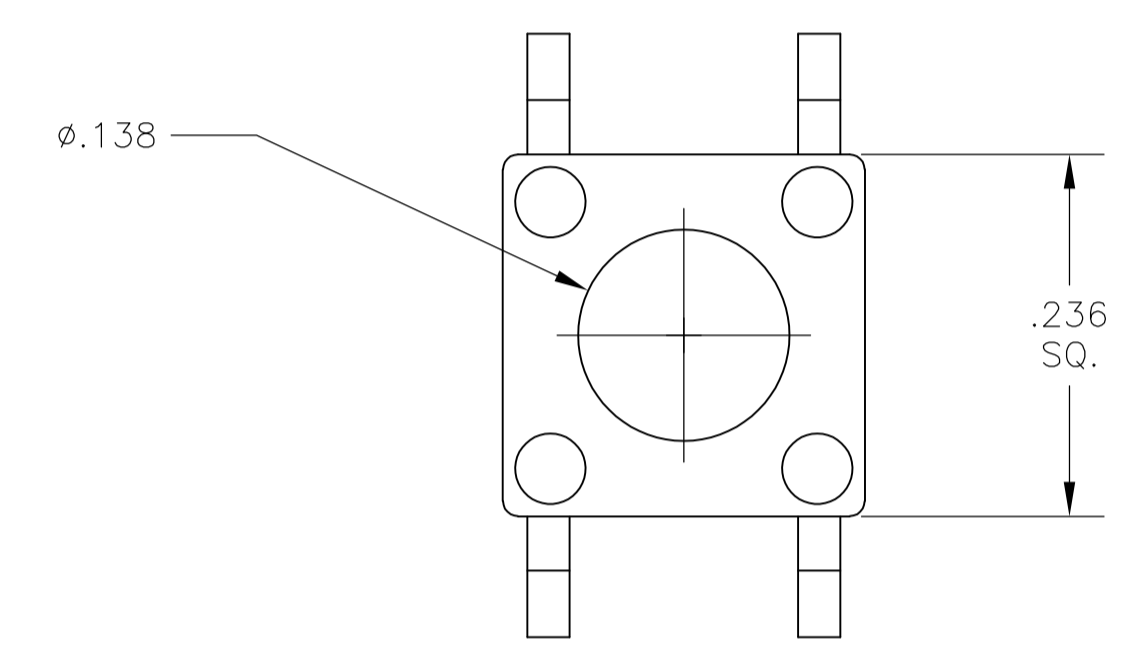
OPERATING TEMPERATURE, -35 TO +85 DEGREES C
 STORAGE TEMPERATURE, -35 TO +85 DEGREES C
 HUMIDITY AND TEMPERATURE CYCLING PER EIA-364-31B, METHOD III
 THERMAL SHOCK, PER EIA-364-32C, -40 TO +80 DEGREES C
 SOLDERABILITY, PER EIA-364-52, CLASS 2, CATEGORY 1, TEMP, 245 DEGREES C MAX,
 TIME, 2.5 SECONDS MAX, 95% MINIMUM COVERAGE
 RESISTANCE TO SOLDER HEAT, PER 109-201 CONDITION B
 NO CHANGE IN INITIAL ELECTRICAL AND MECHANICAL CHARACTERISTICS

SEALED PER IP67

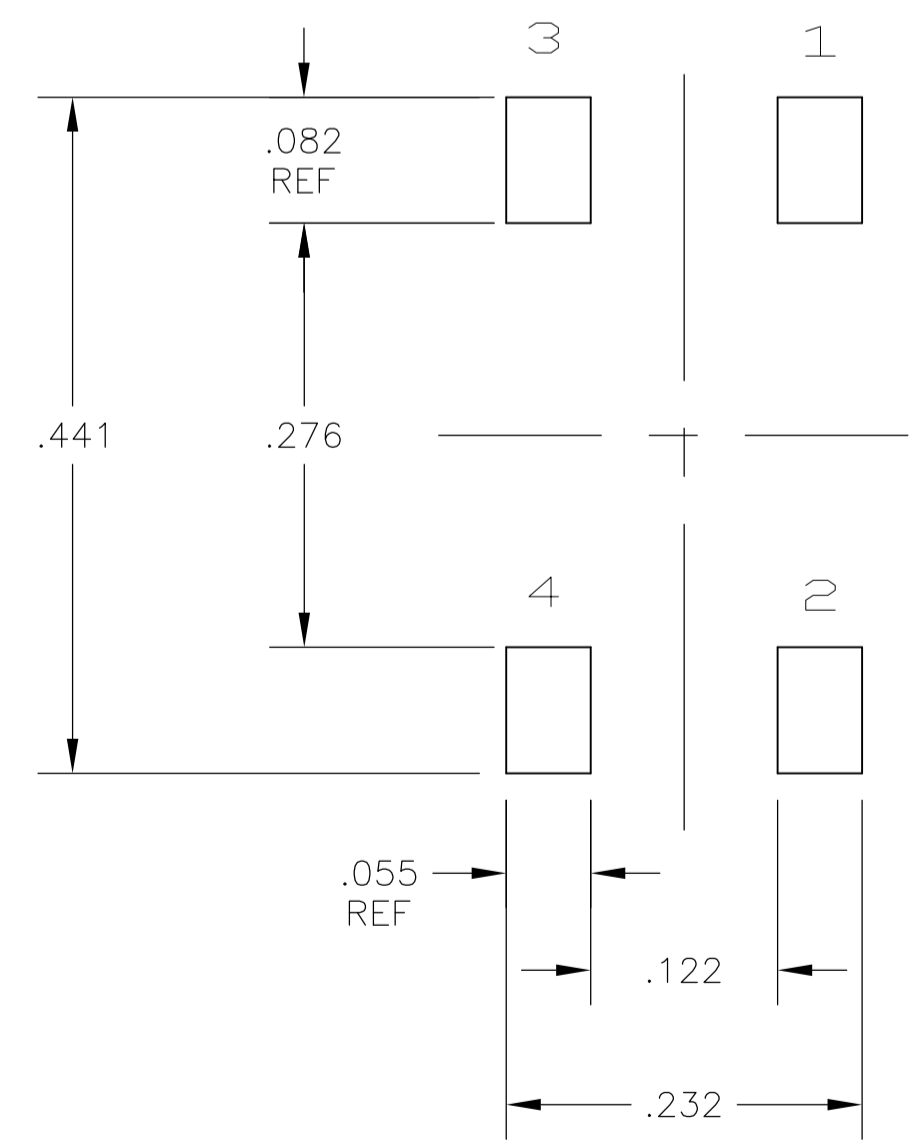
PACKAGING:

TAPE AND REEL PER EIA-481, SWITCH TO HAVE ACTUATOR FACING DOWN.

1. ALL MATERIALS AND FINISHES SHALL COMPLY WITH EU DIRECTIVE
 2002/95/EC OF 27JAN2003 (ROHS)



TERMINAL NOS.



RECOMMENDED PAD LAYOUT
 TOLERANCE ±.002 UNLESS
 OTHERWISE NOTED

< >-INDICATES MOMENTARY POSITION		
CIRCUIT CHARACTERISTICS		
CONTACT POSITION		CIRCUIT DIAGRAM
OFF		
	<DN> 1 - 3 2 - 4	

BROWN	PPS	100±50 GRAMS	.169±.006	.028±.004	1571611-2
-	SILICON RUBBER	100±50 GRAMS	.169±.006	.028±.004	1571611-1
ACTUATOR COLOR	ACTUATOR MATERIAL	OPERATING FORCE	B	A	TYCO PART NUMBER
THIS DRAWING IS A CONTROLLED DOCUMENT.		DWN FR CHK M APVD M	Tyco Electronics Corporation Harrisburg, PA		
DIMENSIONS: INCHES		TOLERANCES UNLESS OTHERWISE SPECIFIED:		NAME PUSHBUTTON SWITCH 6 X 6mm, SMT, SPECIAL TAPE AND REEL PACKAGING	
0 PLC ± - 1 PLC ± - 2 PLC ± - 3 PLC ± .012 4 PLC ± - ANGLES ± -		PRODUCT SPEC APPLICATION SPEC		SIZE A1	
MATERIAL -		FINISH -		DRAWING NO 00779	
		WEIGHT -		DRAWING NO 1571611	
		CUSTOMER DRAWING		SCALE 8:1 SHEET 1 OF 1 REV C	